



LDR25K1 Laser Rangefinder Target Designator

Model:LDR25K1

PRODUCT DESCRIPTION

The LDR25K1 Laser Rangefinder Target Designator is a cutting-edge device specifically designed for pursuing high-precision ranging and laser-coded designation, exhibiting exceptional performance. It not only achieves precise measurements over distances up to 5000m and even beyond but also excels in target designation, with an effective range extending to 3000m and further. Particularly noteworthy is its ultra-lightweight design, weighing only 370g or less, and its compact size, making it highly portable without compromising on performance, maintaining a high level of stability and excellence.

Furthermore, the LDR25K1 thoughtfully offers personalized customization options for the laser divergence angle, with an adjustment range of 0.3 ~ 1 mrad. This feature enables it to flexibly adapt to the needs of various operating environments. The system strictly adheres to international standards, ensuring its wide compatibility and high reliability worldwide. With its outstanding durability, precise and accurate measurement capabilities, as well as its compact and portable design, the LDR25K1 Laser Rangefinder Target Designator has undoubtedly become the preferred choice for professionals who pursue high-efficiency and high-precision operations.

The Laser Rangefinder Target Designator features the

following functions:

- Laser ranging capability;
- Provides laser designation for air-to-ground guidance;
- Capable of communicating with a host computer according to communication protocol requirements;
- Equipped with precise frequency coding capabilities set by the user.



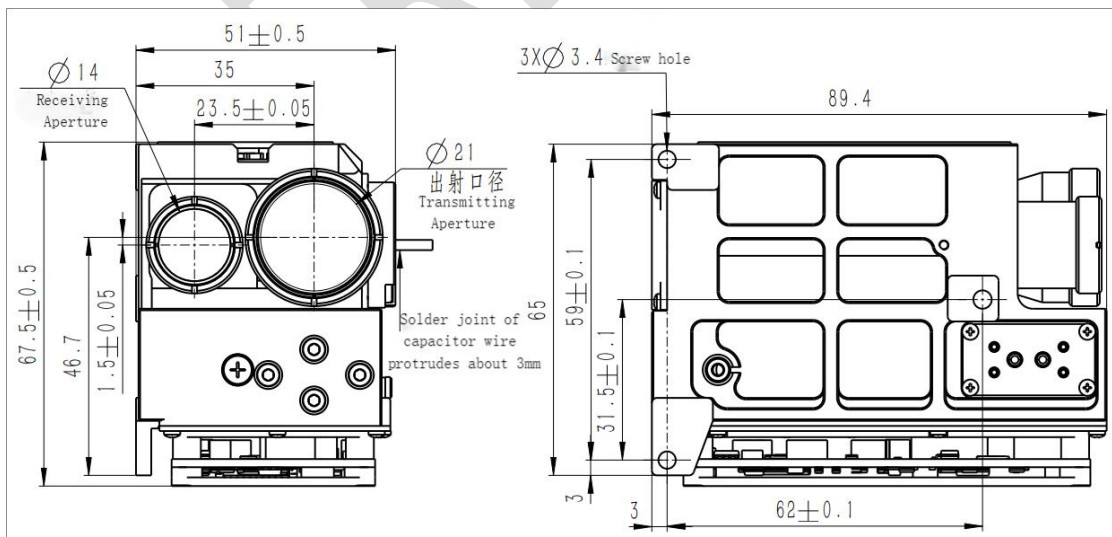
TECHNICAL SPECIFICATIONS

Range Finding/Target Indication Parameters	
Laser ranging and target designation operating mode	Ready to work instantly
Maximum ranging distance	≥5000m (visibility 10km, target reflectivity 0.2, target size 2.3m x 4.6m)
Minimum ranging distance	100m
Ranging accuracy	±2m
Ranging logic	3 goals
Laser target designation distance	≥2000m
Ranging frequency	1 ~ 20Hz
Target designation frequency	1 ~ 20Hz
Accuracy rate (or Measurement success rate)	98%
Continuous ranging time	5min(1Hz)/1min (5Hz)/20S (20hz)
Continuous laser target designation time	The duration of a single laser target designator operation must be no less than 25 seconds. When initiating the laser target designator again, the interval should not exceed 15 seconds. It should be capable of continuous laser target designator operations for 8 cycles, followed by a standby period of 30 minutes, after which it can perform laser target designation again.
Encoding	Complies with MIL-STD-810F requirements; possesses user-defined coding expansion capabilities.
Laser encoding pattern	Equipped with external synchronization signal reception capability. Precise frequency codes



	(eight sets of pre-stored periodic code encodings); Customizable code patterns, etc.
Encoding accuracy	≤2.5μs
Laser Parameters	
Laser Type	LD Pumped Nd:YAG Crystal
Cooling Method	Passive cooling, no temperature control
Wavelength	1064nm±3nm
Single Pulse Energy	≥25mJ
Energy Fluctuation	< 10% (Energy Standard Deviation / Average Energy Value × 100%) - Less than 10% (Energy Standard Deviation / Average Energy Value × 100%)
Repetition Rate	0~20Hz adjustable - Adjustable from 0 to 20 Hz
Pulse Width	≥15ns±5ns
Beam Divergence Angle	≤0.5mrad [Customizable 0.3mrad~1mrad]
Laser Beam Axis Instability	≤0.05mrad
Laser Start-up Time	10s
Laser Safety Class	Class 4
Environmental adaptability	
Operating Temperature	-40°C~60°C
Storage Temperature	-55°C~70°C
Vibration and Shock Standards	Meets the vibration and shock requirements for airborne equipment as specified in MIL-STD-810F
Electrical Parameters	
Power Supply Voltage	20 ~ 28VDC(typical 24 V)
Total Power Consumption	Standby Power Consumption: ≤ 10 W Average Power Consumption: ≤ 50 W Peak Power Consumption: ≤ 80 W
Communication Interface	TTL (Standard)
Baud Rate	115200bit/s
Mechanical Parameters	
Weight	≤370g
Overall Dimensions	≤68mm×52mm×90mm
Non-parallelism between Mounting Base and Optical Axis	0.5mrad

STRUCTURAL DRAWING (mm)





ERDI ELECTRICAL INTERFACE

Communication interface: One-way TTL level serial port.

Connector model and interface definition are shown in Table 1.

Table 1 Electrical interface definition: (using TTL)

Socket: MOLEX 53048-0810		
Corresponding plug: MOLEX 51021-0800		
Pin	Definition	Description
1	24V	Power +
2	24V	Power +
3	24VGND	Power -
4	24VGND	Power -
5		
6	TTL_RX	Upper Computerr -> Laser Rangefinder Target Designator component
7	TTL_TX	Laser Rangefinder Target Designator component -> Upper Computer
8	TTL_GND	Serial port address

ERDI COMMUNICATION PROTOCOL

Baud Rate: 115200 bit/s

Communication Interface: RS422 Interface;

External Trigger Interface: Reserved for External Code Trigger Interface;

Connector Interface Definitions are provided in Table 1.

Table 1: Electrical Interface Definitions

Pin	Definition	Description
1	422-GND	RS422 Ground
2	24V	Power Supply +
3	24V	Power Supply +
4	24VGND	Power Supply -
5	24VGND	Power Supply -
6	422 Rx+	Upper Computer ->Laser Rangefinder Target Designator +
7	422 Rx-	Upper Computer ->Laser Rangefinder Target Designator -
8	422 Tx-	Laser Rangefinder Target Designator ->Upper Computer-
9	422 Tx+	Laser Rangefinder Target Designator ->Upper Computer+

ERDI COMMUNICATION PROTOCOL

1.Communication Standard

Asynchronous Serial Communication Standard: TTL Serial Port

Baud Rate: 115200bps

Transmission Format: 8 data bits, 1 start bit, 1 stop bit, no parity bit

For each byte of information, the least significant bit (lsb) is transmitted first. For multi-byte information, the lower byte is transmitted first.



2. Output Information

Output information refers to commands sent by the host computer system to the Laser Rangefinder Target Designator module, including:

- Information header (0x55);
- Command word 1;
- Command word 2;
- Command word 3;
- "Information tail" is the checksum, which is the result of the XOR operation of bytes 1-4.

The relevant definitions of command word 1 are as follows:

Table 2 Command word 1 definition

BIT07	BIT06	BIT05	BIT04	BIT03	BIT02	BIT01	BIT00
0x00: Standby							
0x01: Initiate self-test							
0x02: Single distance measurement							
0x03: Continuous distance measurement (1Hz)							
0x04: Continuous distance measurement (5Hz)							
0x05: Short target designation (duration 25s, interval 15s, 8 cycles of target designation)							
0x08: Stop distance measurement/ target designation							
0x09: Set gating value							
0x0A: Report cumulative laser pulse count							
0x19 ~ 0x20: Change laser encoding parameters 9 ~ 16							
0x29 ~ 0x30: Read laser encoding parameters 9 ~ 16							

The relevant definitions of command word 2 are as follows:

Table 3 Command word 2 definition

BIT07	BIT06	BIT05	BIT04	BIT03	BIT02	BIT01	BIT00
When Laser target designation is active: Laser codes range from 1 ~ 16.							
When laser ranging is active: 1 - First target, 2 - Last target.							
When setting the gating value: Low byte of distance gating value.							
When modifying parameters for laser codes 9 to 16: Low byte of laser code, period × 100 (5000 represents 50ms, range of 46ms ~ 56ms).							

The relevant definitions of command word 3 are as follows:

Table 4 Command word 3 definition

BIT07	BIT06	BIT05	BIT04	BIT03	BIT02	BIT01	BIT00
When setting Laser Target Designation: Set Laser Target Designation time (1 ~ 25).							
When setting the gating value: High byte of distance gating value.							
When modifying parameters for laser codes 9 ~ 16: High byte of laser code, period × 100 (5000 represents 50ms, range of 46ms ~ 56ms).							

3. Input Information

Input information refers to the status information received by the Upper Computer from the Laser Target Designation module, including:

- Information header (0x55);
- Status word;
- Target distance/accumulated laser pulse count (2 bytes); low byte first, high byte second;
- For laser codes 9 to 16 parameters, period × 100 (5000 represents 50ms, range of 46ms to 56ms); low byte first, high byte second;
- Current temperature of the Laser Target Designation module;
- "Information tail" is the checksum, which is the XOR result of bytes 1 to 5.



The relevant definitions of the status word information are shown in Table 5:

Table 5: Definitions of Status Word Information

BIT07	BIT06	BIT05	BIT04	BIT03	BIT02	BIT01	BIT00
0: No laser 1: Laser present	0: Ranging effective 1: Ranging ineffective	Laser marker alternating between 1 / 0	1: Over-temperature alarm 0: Temperature normal		0: None 1: External trigger	00: Standby 01: Ranging 02: Indicating	

Definition of target distance information: The distance value is represented by 2 bytes (16 BIT) as an integer, which can be directly converted to a decimal number.

In standby mode, a self-check status is returned every 10S cycle. In ranging and Target Designator modes, the status is returned based on the laser frequency.

Definition of cumulative laser pulse count: Since a 16-bit binary number represents a range of 0 ~ 65535, and the service life of the laser rangefinder is 1 million times, it is agreed that the laser emission count is a multiple of 20, with a range of 0 ~ 1310700.

Current temperature of the Laser Rangefinder Target Designator module: d7-d0: represented in two's complement, with a range of -128 ~ +127, in units of °C (degrees Celsius).

Notes:

- A status feedback frame is automatically returned every 10 seconds, meaning that a status frame is fed back every 10s during power-on, standby, stop ranging, and stop Target Designator states.
- The device automatically stops ranging after 5 minutes of ranging at 1Hz and 1 minute of ranging at 5Hz (both are 300 rangings).
- After changing the encoding settings, the parameters are saved in the flash memory and will not be lost when the power is turned off and back on.
- BIT05 in Table 5 indicates I/O alternating, which means that the feedback data has been updated.
- Each activation of Target Designator involves a continuous Target Designator cycle, which stops automatically upon completion. Therefore, the encoding only involves the laser pulse interval, and the Target Designator time parameter (1 ~ 25s) is included when initiating Target Designator .

6. When sending a short target designator command, the target designator cycle selects code 1 ~ 16, and the target designator cycle is the cycle set by code 9 ~ 16.