



## 8mJ Eye safe DPSS Laser

Model:ER8000

### PRODUCT DESCRIPTION

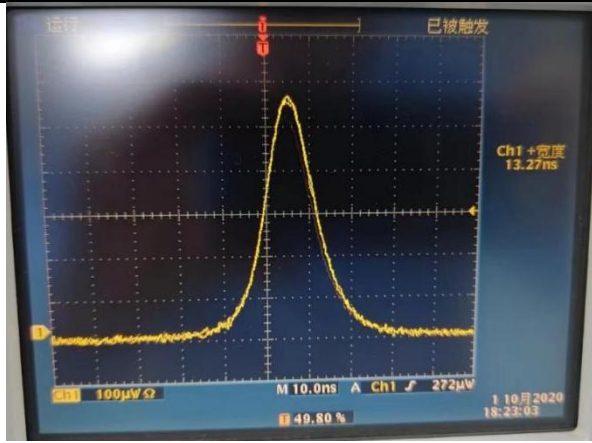
This Laser Energy: 8 mJ Er:glass eye-safe laser is a diode-pumped, water-free, passive Q-switched laser that combines eye-safe wavelength operation with high peak power, short pulse duration (pulse width), and diffraction limitation Beam quality combines to provide unparalleled size and weight and power. Our eye-safe DPSS lasers operate at 1535nm. In addition to being called 1535nm lasers, these lasers are also called 1540nm lasers, 1534nm lasers, 1.54um lasers or 1.54μm lasers and are widely used as the emitted light source for rangefinders. At this wavelength, eye-safe laser ranging systems can be easily configured without compromising beam power or quality. More secure for laser ranging applications. Repetition frequency: 5 Hz, operates in a wide temperature range from -

40°C ~ 60°C, and has a lifespan of more than 60 million times.

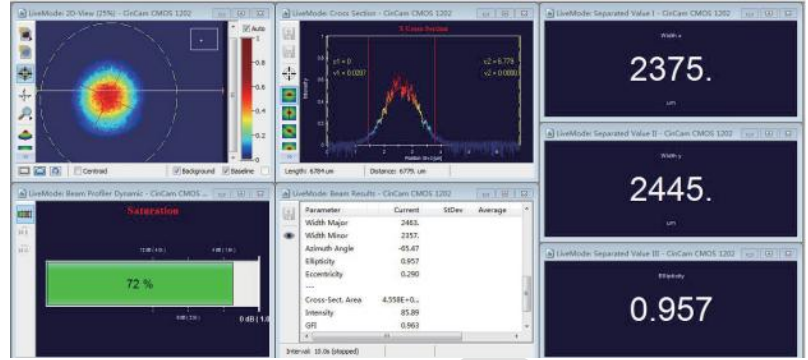


### TECHNICAL SPECIFICATIONS

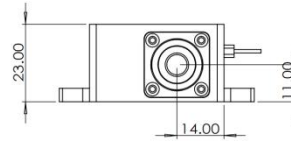
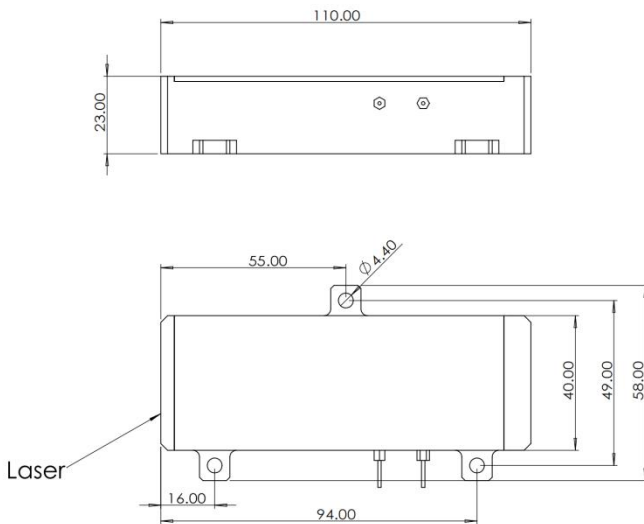
Laser Wavelength	1535 nm
Eyesafe	Class 1
Pulse energy	≥8mJ
Laser Pulse width	13 ns
Pulse repetition rate	5Hz
Pulse stability	±5%
Raw Beam Diameter	0.8 mm
Beam divergence angle	4mrad
Beam Mode	TEM00
Operating temperature	-45 °C~+65 °C
Storage temperature	-55 °C~+85 °C
Impact	1500 G, 0.5 ms
Vibration	5-200 Hz/20 G
Life span	>50 million shots
Dimension (mm)	110 ×40 ×24
weight	120 g
Voltage	5V
electric current	65 A
Drive pulse width	≥4ms



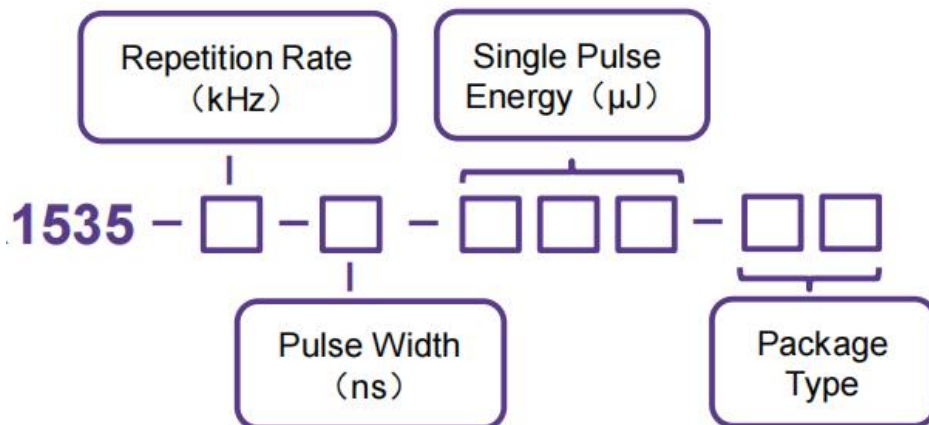
**Beam Profile**



**MECHANICAL DIMENSION(mm)**



**PART NUMBERING SCHEMA**





**PIN DESCRIPTIONS**

Pin	Function
1	Laser (+)
2	Laser (-)



ERDI TECH LTD