



40μJ High Repetition Frequency Erbium Glass Laser

Model:ER40

PRODUCT DESCRIPTION

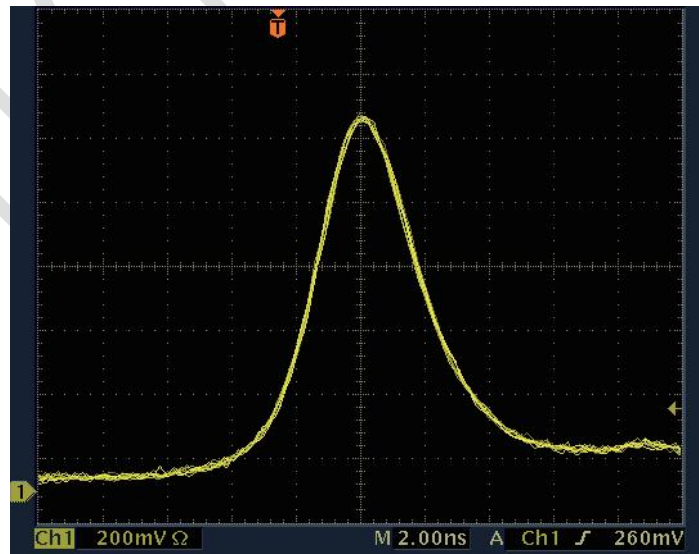
1535nm High Heavy Frequency Erbium Glass Laser Module is a high heavy frequency human eye safe laser developed by ERDI TECH LTD based on Er:glass passive Q-modulation technology, which adopts semiconductor packaging process with compact size and stable performance. The single pulse energy is stable and the beam quality is good. We can customize different parameters such as 70 μJ@500Hz, 40 μJ@1KHz, 20 μJ@2.5KHz, 10 μJ@5KHz and 5

μJ@10KHz. They are widely used in laser ranging, laser irradiation, LIDAR, target identification as well as laser medical and fiber optic communication.

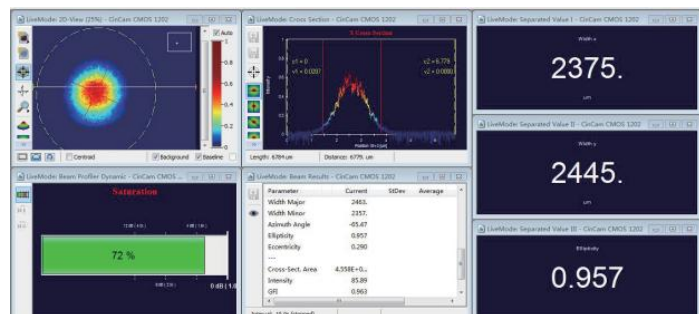


TECHNICAL SPECIFICATIONS

Wavelength	1535 nm
Eyesafe	Class 1
Pulse energy	≥40 μJ
Laser Pulse width	4 ns
Pulse repetition rate	1KHz
Pulse stability	10%
Raw Beam Diameter	0.2 mm
Beam divergence angle	<15 mrad
Beam Mode	TEM ₀₀
Operating temperature	-45 °C~+65 °C
Storage temperature	-55 °C~+85 °C
Impact	1500 G, 0.5 ms
Vibration	20~2000 Hz/20 G
Life span	>5 million times
Dimension (mm)	17×8×7
weight	6 g
Voltage	2 V
electric current	5A
Drive pulse width	≥0.4 ms

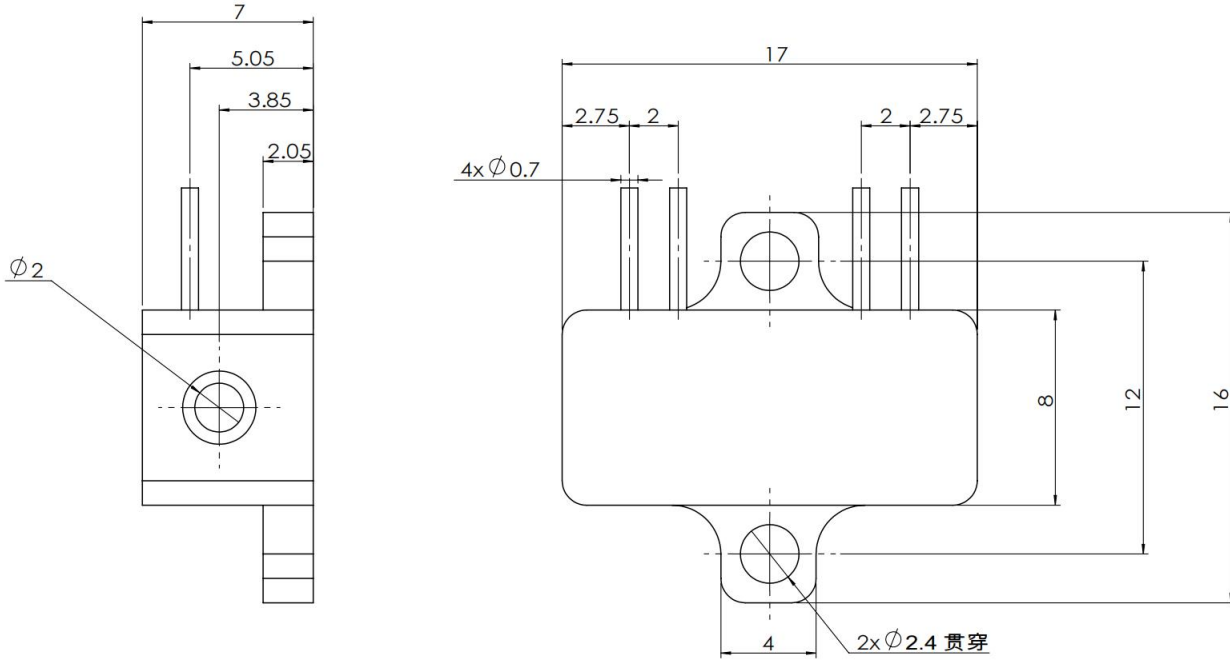


Beam Profile





MECHANICAL DIMENSION(mm)



PART NUMBERING SCHEMA

