



100μJ Microchip Laser Module

Model:ER100

PRODUCT DESCRIPTION

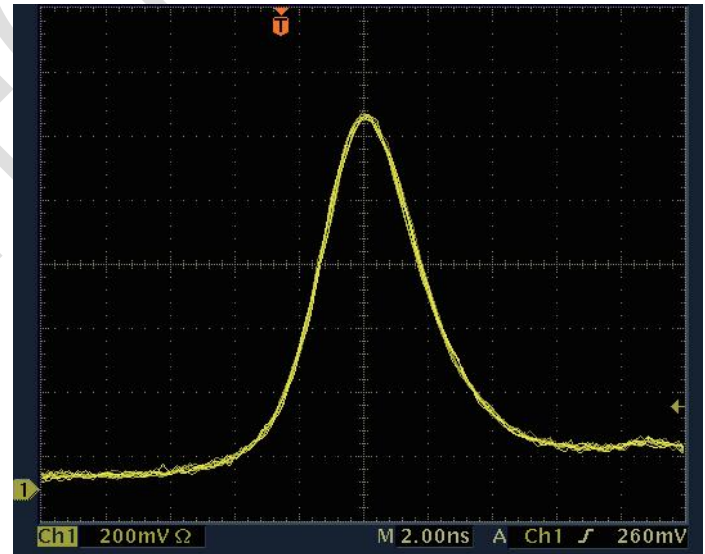
1535nm laser is one of the solid-state laser series provided by ERDI, which is based on Er:Glass and Co:Spinel composite crystals. This excellent erbium laser utilizes mature bonding and packaging technologies, hence it can also be referred to as a 1535 nm micro-laser or 1535 nm microchip laser. With a pulse energy of $\geq 100\mu\text{J}$ and a frequency range of 1-10Hz, it finds wide applications in fields such as laser ranging, laser illumination, lidar systems, target

identification, laser medical treatments, and fiber optic communications.

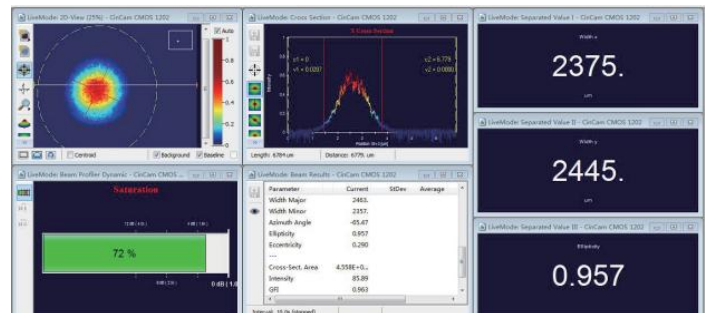


TECHNICAL SPECIFICATIONS

Laser Wavelength	1535 nm
Eyesafe	Class 1
Pulse energy	$\geq 100 \mu\text{J}$
Laser Pulse width	4 ns
Pulse repetition rate	1~10 Hz
Pulse stability	10%
Raw Beam Diameter	0.2 mm
Beam divergence angle	10 mrad
Beam Mode	TEM ₀₀
Operating temperature	-45 °C~+65 °C
Storage temperature	-55 °C~+85 °C
Impact	1500 G, 0.5 ms
Vibration	20~2000 Hz/20 G
Life span	> 50 million shots
Dimension (mm)	21x8x7
weight	8 g
Voltage	2 V
electric current	6 A
Drive pulse width	≥ 2 ms

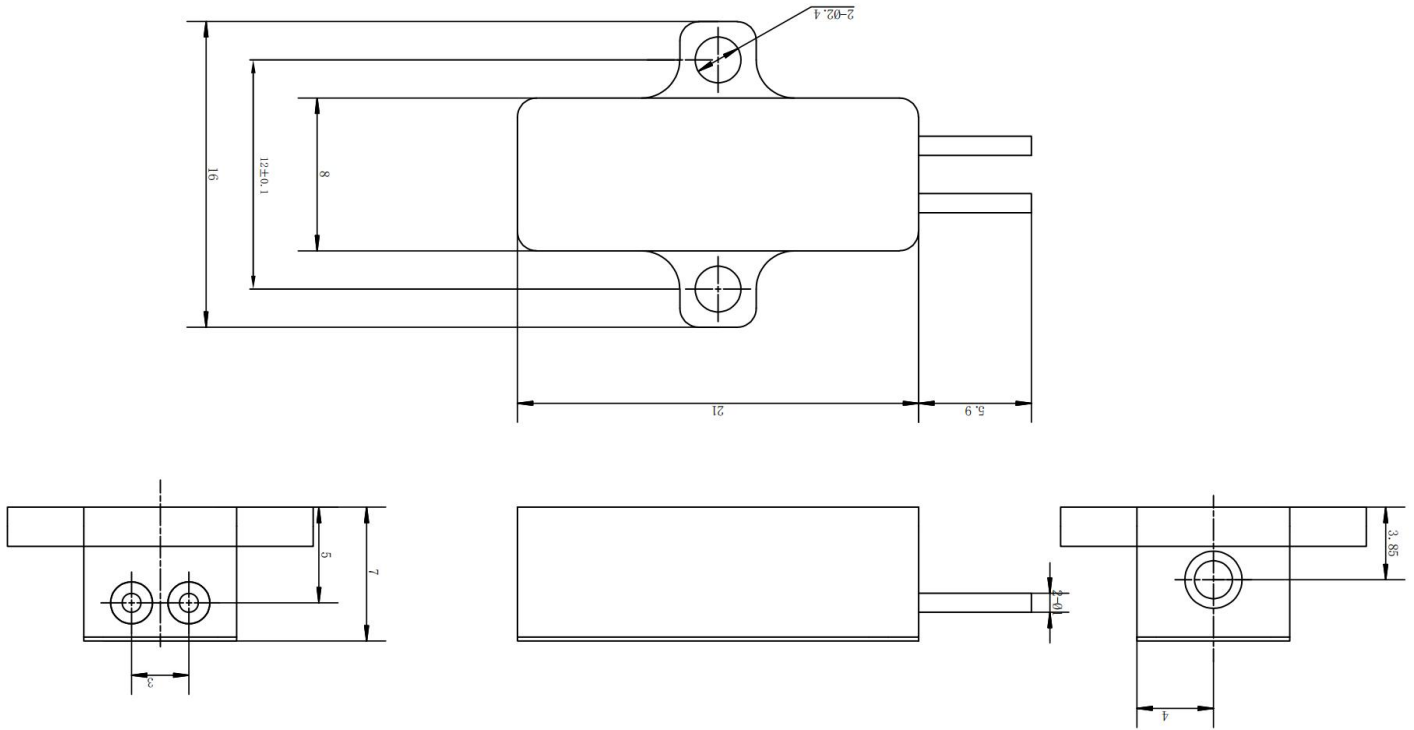


Beam Profile

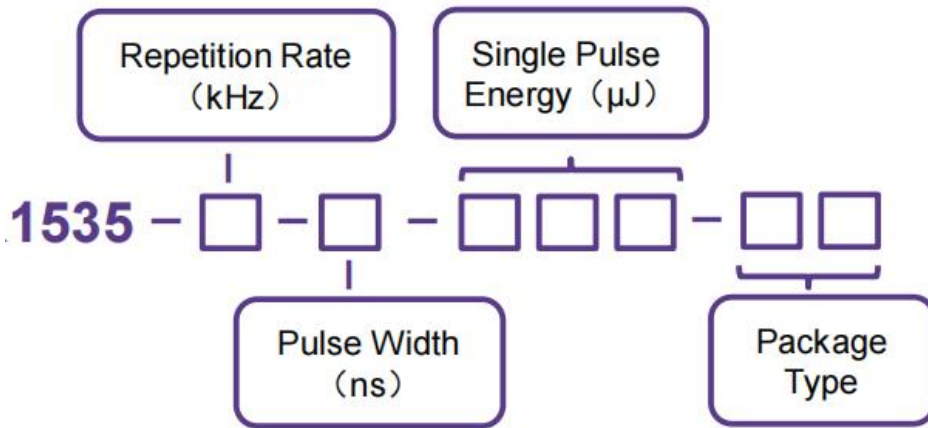




MECHANICAL DIMENSION(mm)



PART NUMBERING SCHEMA





PIN DESCRIPTIONS

Pin	Function
1	Laser (+)
2	Laser (-)



ERDI TECH LTD